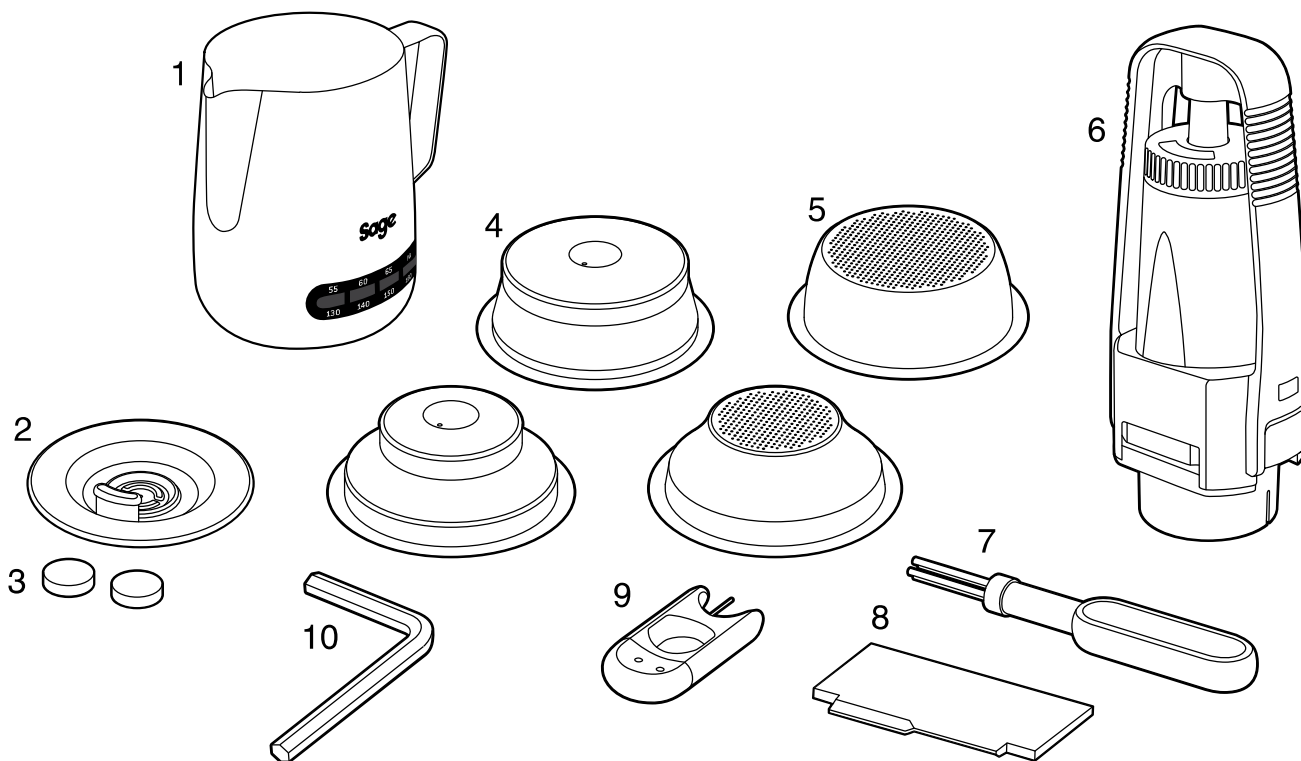


# Components



- A. 250g bean hopper
- B. Integrated conical burr grinder
- C. Grind outlet
- D. Grinding activation switch
- E. Hands free grinding cradle
- F. GRIND SIZE selector
- G. GRIND AMOUNT dial
- H. FILTER SIZE button
- I. POWER button
- J. Integrated removable 54mm tamper
- K. Group head
- L. 54mm stainless steel portafilter
- M. Extra-tall cup clearance for tall mugs
- N. Removable wet & dry coffee separator drip tray
- O. Storage tray (located behind drip tray)
- P. 360° swivel-action steam wand
- Q. Dedicated hot water outlet
- R. Steam/Hot Water dial
- S. Steam/Hot Water light
- T. 1 CUP and 2 CUP buttons
- U. CLEAN ME light
- V. Espresso pressure gauge
- W. Programme button  
Re-programs the preset 1 CUP and 2 CUP shot volumes.
- X. Cup warming tray
- Y. 2L removable water tank



**ACCESSORIES**

- 1. Temp Control™ Milk Jug
- 2. Cleaning disc
- 3. Cleaning tablets
- 4. Dual Wall filter baskets  
(1 cup & 2 cup) Use with pre-ground coffee.
- 5. Single Wall filter baskets  
(1 cup & 2 cup) Use when grinding fresh whole coffee beans
- 6. Water filter holder and filter
- 7. Cleaning brush
- 8. The Razor™ precision dose trimming tool
- 9. Cleaning tool
- 10. Allen key

**CE** Rating Information  
220–240V~ 50Hz 1560–1850W